

# MFX Single Output DC-DC Converters

## 16 TO 50 VOLTS INPUT - 50 WATT

### FEATURES

- 90% typical efficiency
- Wide input range, 16 to 50 volts
- $\pm 10\%$  trimmable outputs
- Transient protection up to 80 volts per MIL-STD-704A
- Fully isolated, magnetic feedback
- $-55^{\circ}\text{C}$  to  $+125^{\circ}\text{C}$  operation
- Undervoltage lockout
- Inhibit function



MODELS
OUTPUT VOLTAGE (V)
SINGLE
3.3
5

### DESCRIPTION

The Interpoint® MFX Series™ of high efficiency DC-DC converters offers a wide input voltage range of 16 to 50 volts and up to 50 watts of output power. These converters are capable of withstanding short term transients up to 80 volts per MIL-STD-704A. The package is a hermetically sealed, welded metal case. Flanged and non-flanged models are available.

### CONVERTER DESIGN

The MFX converters are switching regulators that use an active-clamp reset, single-ended forward converter and synchronous rectification design with a constant switching frequency of 500 kHz, typical. Isolation between input and output circuits is provided with transformers in the forward path and in the feedback control loop. The converter design is further described in sections “Operation” on page 2 and “Control” on page 2 on pages 2-3.

### HIGHER POWER DENSITY

The MFX Series offers a new standard of performance for small size and high power density. At just 0.426 inches (10.82 mm) high and a total footprint of 2.34 in<sup>2</sup> (16 mm<sup>2</sup>), this low profile package offers a total power density of approximately 50 watts per cubic inch.

### LOW NOISE

The MFX converters current mode control system provides excellent dynamic response and audio rejection. See Figure 12 on page 11.

The MFX Series converters are provided with internal filtering capacitors that help reduce the need for external components in normal operation. Use our FMCE-0328 or FMCE-0528 EMI filter to meet the requirements of MIL-STD-461C CE03 and CS01 and/or MIL-STD-461D, E and F CE102 and CS101 levels of conducted emissions.

### INHIBIT FUNCTION

MFX converters provide an inhibit terminal that can be used to disable internal switching, resulting in no output and very low quiescent input current. The converter is inhibited when the inhibit pin is pulled to 0.8 volts or less. The unit is enabled when the pin, which is internally connected to a pull-up current source, is left unconnected or is connected to an open-collector. The open circuit voltage associated with the inhibit pin is 14 to 18 volts. The inhibit pin may sink up to 4 mA maximum when driven to an active low condition. See Table 5 on page 9 for more information.

### SHORT CIRCUIT PROTECTION

MFX Series converters provide short circuit protection by restricting the output current to approximately 130% of the full load output current. See “Output Overload and Short Circuit Protection” for more details.

### UNDERVOLTAGE LOCKOUT

Undervoltage lockout with hysteresis prevents the units from operating below approximately 15 volts input voltage to keep system current levels smooth, especially during initialization or re-start operations.

# MFX Single Output DC-DC Converters

## 16 TO 50 VOLTS INPUT - 50 WATT

### OPERATION

The MFX is a single-ended, active clamp, forward DC-DC converter. The active-clamp reset technique offers several advantages for wide input voltage range compared to other passive reset methods. It reduces switching losses and lowers the voltage stress on the power switch. The efficiency can then be improved by selecting MOSFETs with lower voltage rating which provides lower on-state resistance.

Rectification is typically performed using ultrafast diodes or Schottky diodes. The conduction loss on such rectifiers can become a significant portion of the total power loss for low-voltage output and high-power applications. To maximize

the benefits of active-clamp reset the MFX is designed with self-driven synchronous rectifiers (SDSR) to reduce the conduction losses. The MFX employs a unique synchronous gate-drive circuitry that automatically adjusts for the wide input voltage range.

Under operating conditions when the PWM is not switching the MFX can sink current from an external voltage source applied to its output. This behavior is inherent to the SDSR in the MFX. To prevent damage to the converters, do not use them with pre-bias startup, load current sharing or parallel operation. These characteristics are discussed in the "Control" on page 2 below.

### CONTROL

#### SHUTDOWN

In normal operation, the output capacitors are charged at the regulated output voltage and can be used for holdup purposes. When the MFX converter is turned off either through removal of the input line voltage or assertion of inhibit, the synchronous rectifiers will continue to switch until the total energy stored in the internal and external output capacitors is safely depleted. Due to this behavior the energy in the output capacitor will be discharged and may not be suitable for holdup applications.

#### EFFECTS OF EXTERNAL VOLTAGE SOURCE AND PRE-BIAS STARTUP

Do not apply an external voltage source across the MFX converter output as it may turn on the SDSR causing the converter to sink current from the source. The MFX converters do not support pre-biased startup applications. The converter will sink current from the load and may not startup if an external bias is present on the output of the converter

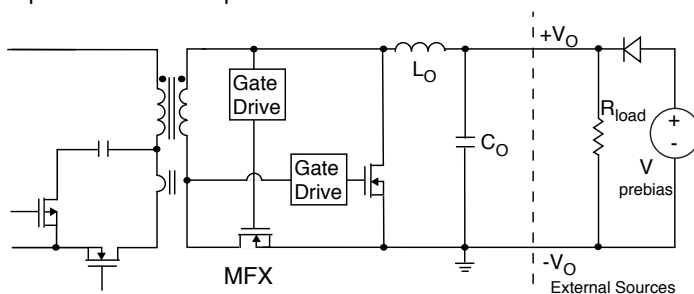


FIGURE 1: PRE-BIAS STARTUP IS NOT SUPPORTED

#### OUTPUT AND REMOTE SENSE CONNECTIONS

Care must be taken to avoid accidental disconnection of the Positive Output (Pins 5, 6) or Output Common (Pins 3, 4) when Remote Sense is used. If the sense pins are connected to the load, but the output power pins are not connected to the load, then the converter may be damaged.

#### LOAD CURRENT SHARING

The MFX converters do not support load current sharing or parallel operation. The converters can be damaged if their outputs are directly connected per Figure 2.

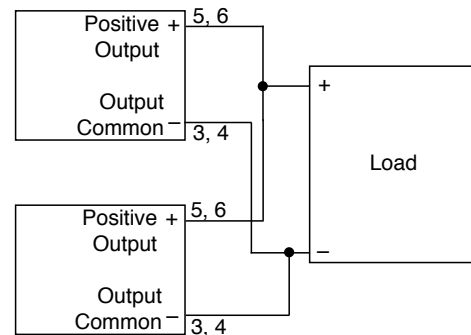


FIGURE 2: THE MFX CONVERTERS CAN BE DAMAGED IF CONNECTED TOGETHER FOR LOAD CURRENT SHARING

#### STACKING

MFX converters do not support stacking.

(See following pages for "Redundancy", "Inhibit", "Overload and Short Circuit Protection" and "Stacking")

# MFX Single Output DC-DC Converters

## 16 TO 50 VOLTS INPUT - 50 WATT

### REDUNDANCY

In redundant systems, multiple converters are used in parallel to provide uninterrupted power and to improve reliability. This can be implemented by connecting ORing diodes on the output of each converter per Figure 3. The diode provides isolation of the converter from the load and other converters in the event of a failure. The ORing diodes also provide redundancy in the event that a converter turns off earlier or turns on later than the others. When the MFX is used with ORing diodes, the remote sense connections on the MFX converters must be connected locally to the individual converter's output and cannot be connected to the cathode of the ORing diodes. Redundancy can instead be achieved with active ORing using power MOSFETs and controller IC, which can reduce thermal dissipation and improve system efficiency. The MFX converters cannot be used with MOSFETs for ORing purposes unless only one device is active at any given time. This requires an ORing MOSFET controller that can selectively disable all ORing MOSFETs except for one operational unit.

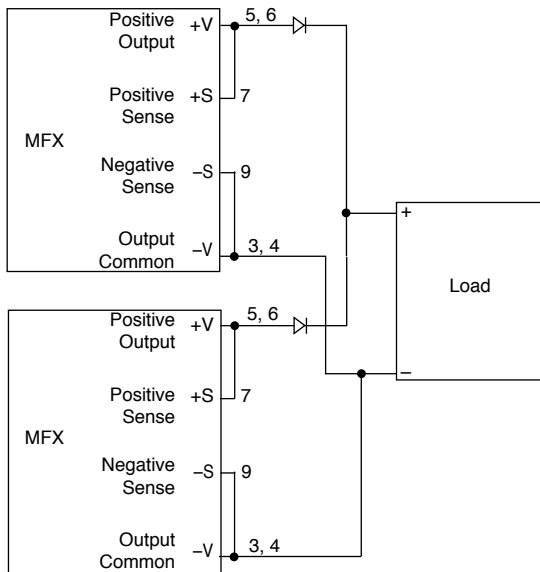


FIGURE 3: REDUNDANCY USING ORING DIODES

### INHIBIT

The MFX converter can be inhibited by pulling the inhibit pin low using an open-collector connection. The inhibit pin is internally connected to a pull-up with a typical open-pin voltage of 16V. Following a shutdown event by assertion of the inhibit function the assert to de-assert delay time must be at least 10 ms for no capacitive loading and 150 ms for maximum capacitive loading. The inhibit signal to the inhibit pin must also use debounce circuitry to prevent rapid turn-off and turn-on as this may cause damage to the converter. See the OPERATION and CONTROL section for more details.

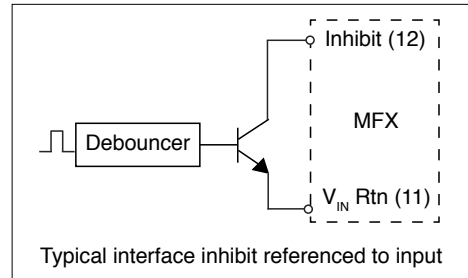


FIGURE 4: TYPICAL INHIBIT INTERFACE (DELAY NOT ADDED)

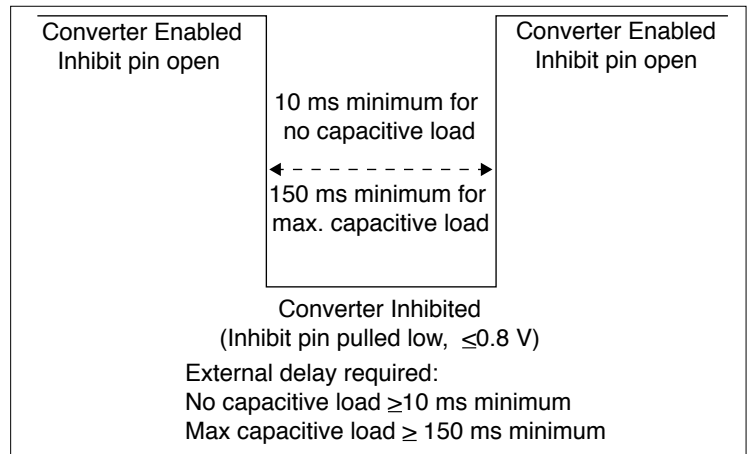


FIGURE 5: DELAY TIME FROM ASSERT TO DE-ASSERT FOR INHIBIT

# MFX Single Output DC-DC Converters

## 16 TO 50 VOLTS INPUT - 50 WATT

### OUTPUT OVERLOAD AND SHORT-CIRCUIT PROTECTION

The MFX converters are protected against indefinite short circuit when the short circuit output voltage is less than 200 mV. To maximize efficiency, the converters use a forward topology with active-clamp reset and self-driven synchronous rectification (SDSR). Inherent to the combination of active-clamp reset and SDSR is the catch or freewheeling MOSFET will dissipate excess power through its body-diode during output overload. For this reason, operating continuously beyond the current limit trip point may damage or substantially shorten the life of these converters. The figure below shows the overload characteristics of the output voltage versus output current. To prevent damage, the converters should not operate in overload for more than 100 ms. For more information or application support, email [powerapps@crane-eg.com](mailto:powerapps@crane-eg.com) or call +1 425-882-3100 (option 7).

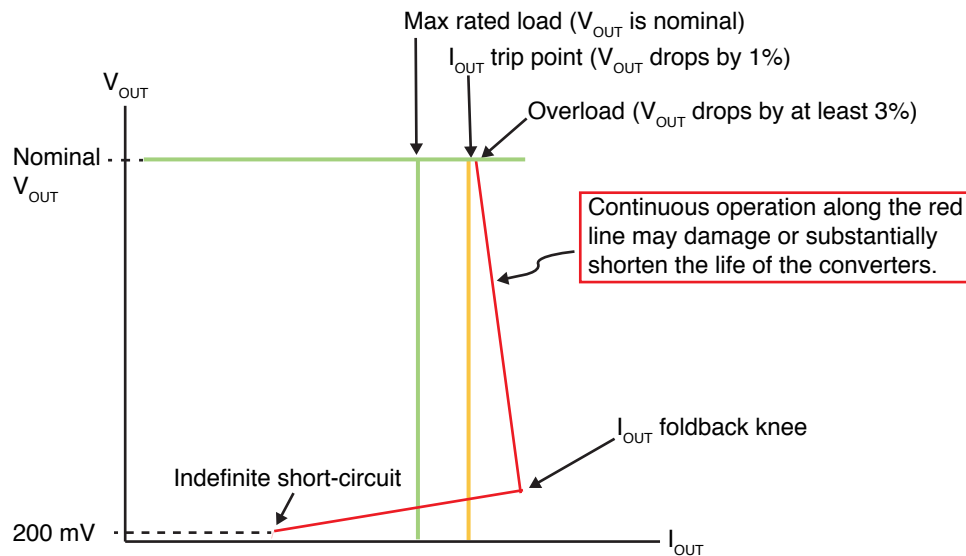


FIGURE 6: OUTPUT OVERLOAD AND SHORT CIRCUIT

# MFX Single Output DC-DC Converters

16 TO 50 VOLTS INPUT - 50 WATT

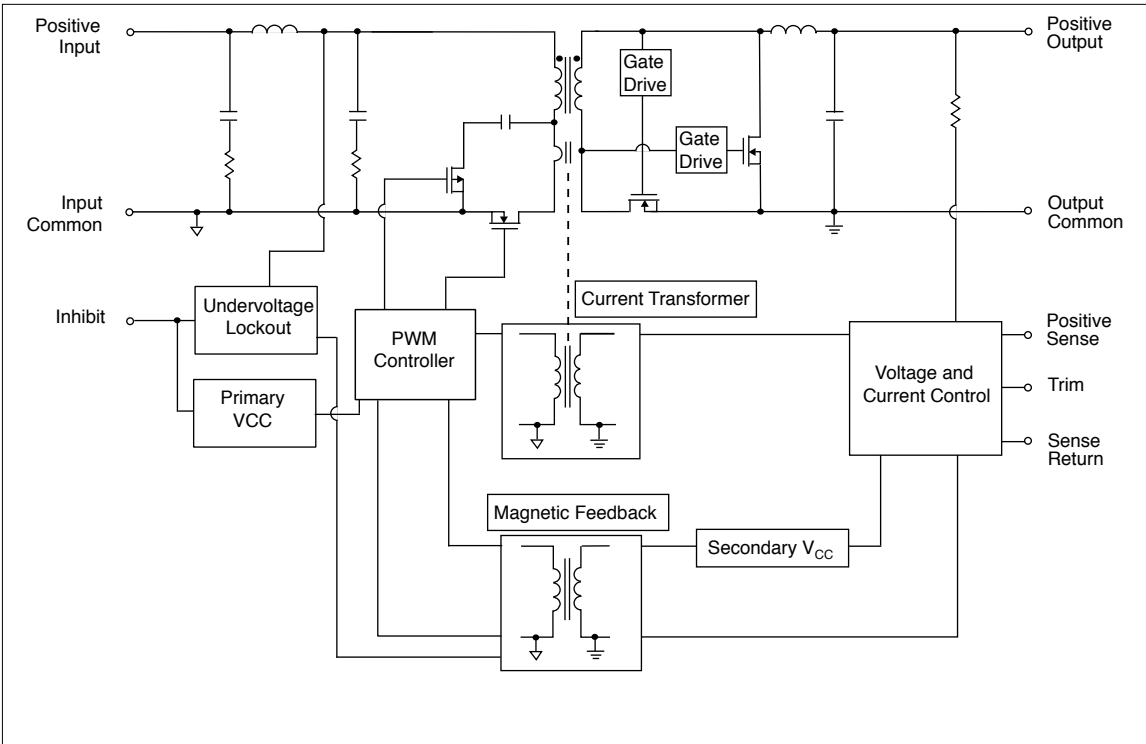


FIGURE 7: MFX SINGLE BLOCK DIAGRAM

# MFX Single Output DC-DC Converters

## 16 TO 50 VOLTS INPUT - 50 WATT

### REMOTE SENSE

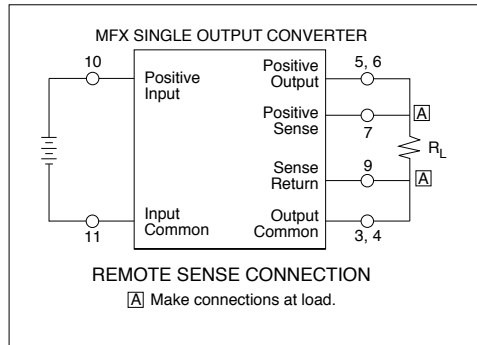


FIGURE 8: REMOTE SENSE CONNECTION

CAUTION: The converter will be permanently damaged if the positive sense (pin 7) is shorted to ground. Damage may also result if the output common or positive output is disconnected from the load when the remote sense leads are connected to the load.

### TRIM

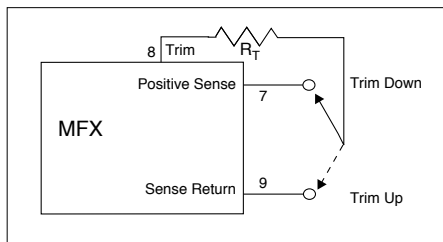


FIGURE 9: TRIM CONNECTION

TABLE 1: TRIM FORMULAS			
25° C, $V_O$ = desired output voltage <sup>1</sup> , $R_T$ = trim resistor (k $\Omega$ )			
Function	Nominal $V_{OUT}$	Trim Range	Formula <sup>2</sup>
Trim Down <sup>3</sup>	3.3	3.3 to 3.0	$R_T = 31.1 \frac{2.982 - V_O}{V_O - 3.311}$
Trim Up <sup>4</sup>		3.3 to 3.9	$R_T = 23.2 \frac{3.996 - V_O}{V_O - 3.311}$
Trim Down <sup>3</sup>	5	5.0 to 4.5	$R_T = 90.2 \frac{4.409 - V_O}{V_O - 5.015}$
Trim Up <sup>4</sup>		5.0 to 5.5	$R_T = 72 \frac{5.522 - V_O}{V_O - 5.015}$

1. The output voltage may vary by  $\pm 5\%$  of the calculated value.
2. If the calculated value is negative, the desired output voltage is outside the allowed trim range.
3. When trimming down do not exceed the maximum current.
4. When trimming up do not exceed the maximum power.

# MFX Single Output DC-DC Converters

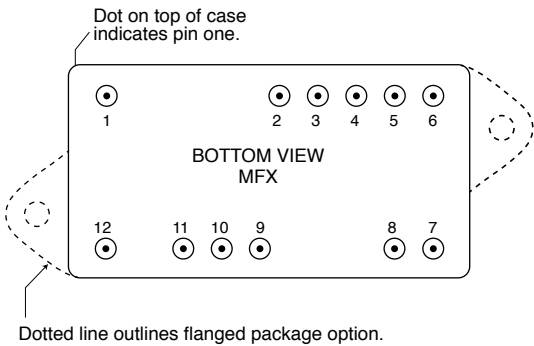
## 16 TO 50 VOLTS INPUT - 50 WATT

PIN OUT	
Pin	Single Output
1	No connection
2	Case Ground
3	Output Common
4	Output Common
5	Positive Output
6	Positive Output
7	Positive Sense
8	Trim
9	Sense Return
10	Positive Input
11	Input Common
12	Inhibit

TABLE 2: PIN OUT

PINS NOT IN USE	
Inhibit	Leave unconnected
Positive Sense	Connect to Positive Output
Trim	Leave unconnected
Sense Return	Connect to Output Common

TABLE 3: PINS NOT IN USE



See Figure 22 on page 14 and  
Figure 23 on page 15 for dimensions.

FIGURE 10: MFX SINGLE PIN OUT

# MFX Single Output DC-DC Converters

## 16 TO 50 VOLTS INPUT - 50 WATT

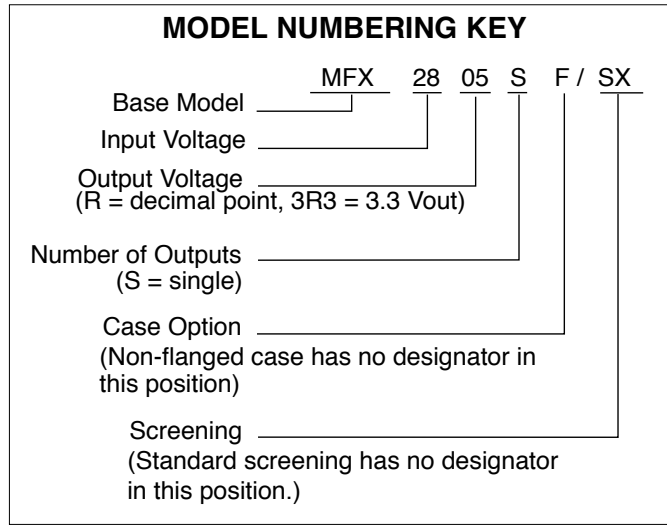


FIGURE 11: MODEL NUMBERING KEY

<b>MODEL NUMBER OPTIONS</b>					
TO DETERMINE THE MODEL NUMBER ENTER ONE OPTION FROM EACH CATEGORY IN THE FORM BELOW.					
CATEGORY	Base Model and Input Voltage	Output Voltage <sup>1</sup>	Number of Outputs <sup>2</sup>	Case Options <sup>3</sup>	Screening <sup>4</sup>
<b>OPTIONS</b>	MFX28	3R3, 05	S	(non-flanged, leave blank) F (flanged)	(standard, leave blank) ES SX
<b>FILL IN FOR MODEL #</b>	MFX28	_____	_____	_____	/ _____

Notes

1. Output Voltage: An R indicates a decimal point. 3R3 is 3.3 volts out.

2. Number of Outputs: S is a single output.

3. Case Options: For the standard case, Figure 22 on page 14, leave the case option blank. For the flanged case option, Figure 23 on page 15, insert the letter F in the Case Option position

4. Screening: For standard screening leave the screening option blank. For other screening options, insert the desired screening level. For more information see Table 8 on page 16. "SX" is screened to MIL-PRF-38534 requirements.

TABLE 4: MODEL NUMBER OPTIONS



# MFX Single Output DC-DC Converters

## 16 TO 50 VOLTS INPUT - 50 WATT

TABLE 5: OPERATING CONDITIONS, ALL MODELS, 25°C CASE, 28 VIN, 100% LOAD, UNLESS OTHERWISE SPECIFIED.

MFX SERIES		ALL MODELS			UNITS
PARAMETER	CONDITIONS	MIN	TYP	MAX	
LEAD SOLDERING TEMPERATURE <sup>1</sup>	10 SECONDS MAX.	—	—	300	°C
STORAGE TEMPERATURE <sup>1</sup>		-65	—	+150	°C
CASE OPERATING TEMPERATURE	FULL POWER	-55	—	+125	°C
	ABSOLUTE <sup>1</sup>	-55	—	+135	
DERATING OUTPUT POWER/CURRENT <sup>1</sup>	LINEARLY	From 100% at 125°C to 0% at 135°C			
ESD RATING <sup>1</sup> MIL-PRF-38534, 3.9.5.8.2	MIL-STD-883 METHOD 3015 CLASS 2	2000 - 3999 <sup>2</sup>			V
ISOLATION: INPUT TO OUTPUT OR ANY PIN TO CASE EXCEPT CASE PIN	500 VDC AT 25°C	100	—	—	Megohms
UNDERVOLTAGE LOCKOUT -55°C TO +125°C	RISING V <sub>IN</sub> (TURN ON)	13.3	15.3	15.9	V
	FALLING V <sub>IN</sub> (TURN OFF)	13.3	14.3	15.6	
CURRENT LIMIT	% OF FULL LOAD	—	130	—	%
CONVERSION FREQUENCY	FREE RUN -55°C TO +125°C	455	500	545	kHz
INHIBIT ACTIVE LOW (OUTPUT DISABLED) <sup>3</sup> Do not apply a voltage to the inhibit pin <sup>5</sup>	INHIBIT PIN PULLED LOW <sup>4</sup>	—	—	0.8	V
	INHIBIT PIN SOURCE CURRENT <sup>1</sup>	—	—	4	mA
	REFERENCED TO	INPUT COMMON			
INHIBIT ACTIVE HIGH (OUTPUT ENABLED) <sup>3</sup> Do not apply a voltage to the inhibit pin <sup>5</sup>	INHIBIT PIN CONDITION	EXTERNAL OPEN COLLECTOR OR LEAVE UNCONNECTED			
	OPEN CIRCUIT PIN VOLTAGE <sup>1</sup>	14	16	18	V

**For mean time between failures (MTBF) contact Applications Engineering  
powerapps@crane-eg.com +1 425-882-3100 option 7**

## Notes

1. Guaranteed by characterization test and/or analysis. Not a production test.
2. Passed 2000 volts.
3. Following a shutdown event by assertion of the inhibit function, the assert to de-assert delay time must be made externally by at least 10 ms for no capacitive loading and 150 ms at maximum capacitive loading. The inhibit signal to the inhibit pin must also use debounce to prevent rapid turn-off and turn-on of the converter to prevent damage. See "Control" section on page 2-3 for more details.

4. Tested with inhibit pin pulled to ground through a diode.
5. An external inhibit interface should be used to pull the inhibit low or leave it floating. The inhibit pin can be left unconnected if not used.

# MFX Single Output DC-DC Converters

## 16 TO 50 VOLTS INPUT - 50 WATT

TABLE 6: ELECTRICAL CHARACTERISTICS -55°C TO +125°C CASE, 28 VIN, 100% LOAD, FREE RUN, UNLESS OTHERWISE SPECIFIED.

SINGLE OUTPUT MODELS		MFX283R3S			MFX2805S			UNITS
PARAMETER	CONDITIONS	MIN	TYP	MAX	MIN	TYP	MAX	
OUTPUT VOLTAGE	T <sub>C</sub> = 25°C	3.26	3.30	3.34	4.95	5.00	5.05	V
	T <sub>C</sub> = -55°C TO +125°C	3.20	3.30	3.40	4.85	5.00	5.15	
OUTPUT CURRENT	V <sub>IN</sub> = 16 TO 50 V	—	—	15.15	—	—	10	A
OUTPUT POWER	V <sub>IN</sub> = 16 TO 50 V	—	—	50	—	—	50	W
OUTPUT RIPPLE <sup>2</sup>	T <sub>C</sub> = 25°C	—	50	125	—	55	150	mV p-p
	20 Hz - 10 MHz	—	55	125	—	60	150	
LINE REGULATION	V <sub>IN</sub> = 16 TO 50	—	0	15	—	0	15	mV
LOAD REGULATION	NO LOAD TO FULL	—	0	30	—	0	30	mV
INPUT VOLTAGE	CONTINUOUS	16	28	50	16	28	50	V
NO LOAD TO FULL	TRANSIENT <sup>1, 3</sup>	—	—	80	—	—	80	V
INPUT CURRENT <sup>4</sup>	NO LOAD	—	60	140	—	75	140	mA
	INHIBITED	—	3	6	—	3	6	
INPUT RIPPLE CURRENT <sup>2</sup>	20 Hz - 10 MHz	—	60	150	—	50	150	mA p-p
EFFICIENCY	T <sub>C</sub> = 25°C	85	89	—	87	91	—	%
	T <sub>C</sub> = -55°C TO +125°C	84	88	—	85	89	—	
LOAD FAULT <sup>5, 6</sup>	POWER DISSIPATION	—	9	16	—	6	16	W
SHORT CIRCUIT	RECOVERY	—	13	20	—	13	20	ms
STEP LOAD RESPONSE <sup>5, 7</sup>	TRANSIENT	—	±120	±300	—	±90	±250	mV pk
	50% - 100% - 50%	RECOVERY	—	125	300	—	225	350
STEP LINE RESPONSE <sup>1, 5, 8</sup>	TRANSIENT	—	±50	±265	—	±80	±300	mV pk
	16 - 50 -16 V	RECOVERY	—	130	350	—	180	350
START-UP <sup>4, 5, 9</sup>	DELAY	—	17	25	—	17	25	ms
FULL LOAD	OVERSHOOT	—	0	30	—	0	50	mV pk
CAPACITIVE LOAD <sup>1</sup>	NO EFFECT ON DC	—	—	5000	—	—	5000	uF
T <sub>C</sub> = 25°C	PERFORMANCE	—	—	5000	—	—	5000	

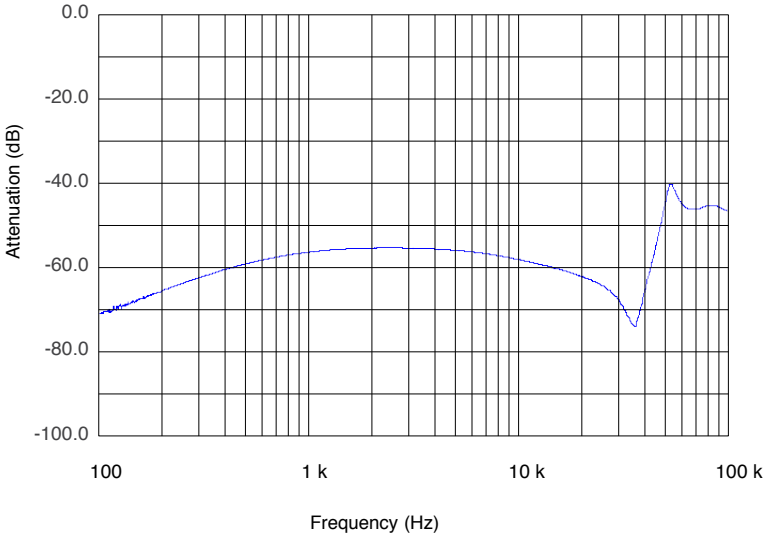
### Notes

- Guaranteed by characterization test and/or analysis. Not a production test.
- Although no minimum load is required, the converter may skip pulses at high line and light load (10% or less) to maintain output voltage regulation. The result is higher input ripple current and output ripple voltage that may exceed the specification.
- Up to 80 volt transient per MIL-STD-704 A.
- Following a shutdown event by assertion of the inhibit function, the assert to de-assert delay time must be made externally by at least 10 ms for no capacitive loading and 150 ms at maximum capacitive loading. The inhibit signal to the inhibit pin must also use debounce to prevent rapid turn-off and turn-on of the converter to prevent damage. See "Control" section on page 2-3 for more details.
- Recovery and startup times are measured from application of the transient or change in condition to the point at which V<sub>OUT</sub> is within 1% of final value.
- MFX design is self driven synchronous rectification with short-circuit protection. Continuous operation beyond the current limit trip point may damage or substantially shorten the life of the converter. See "Output Overload and Short-Circuit Protection" for more details.
- Step load step characterization is performed at 10 microseconds typical.
- Step line test is performed at 100 microseconds ±20 microseconds.
- Tested on release from inhibit.

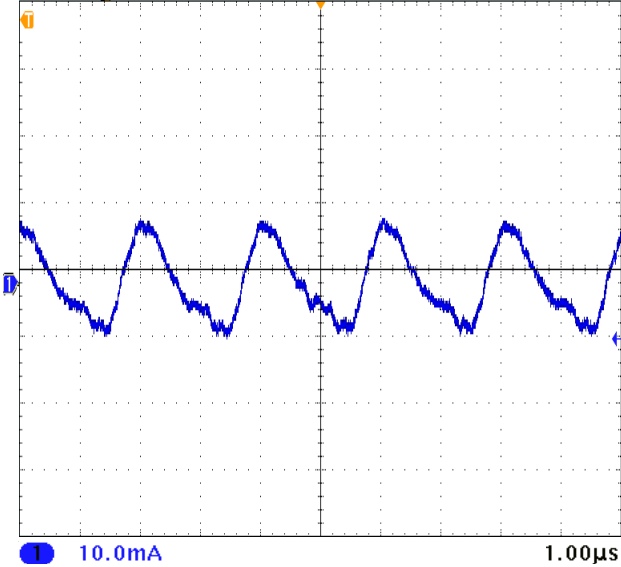
# MFX Single Output DC-DC Converters

## 16 TO 50 VOLTS INPUT - 50 WATT

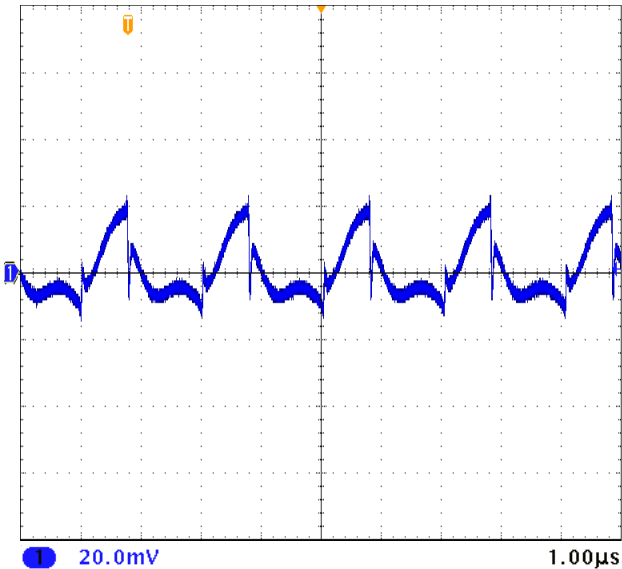
TYPICAL PERFORMANCE PLOTS: 25°C CASE, 28 VIN, 100% LOAD, FREE RUN, UNLESS OTHERWISE SPECIFIED.  
FOR REFERENCE ONLY, NOT GUARANTEED SPECIFICATIONS.



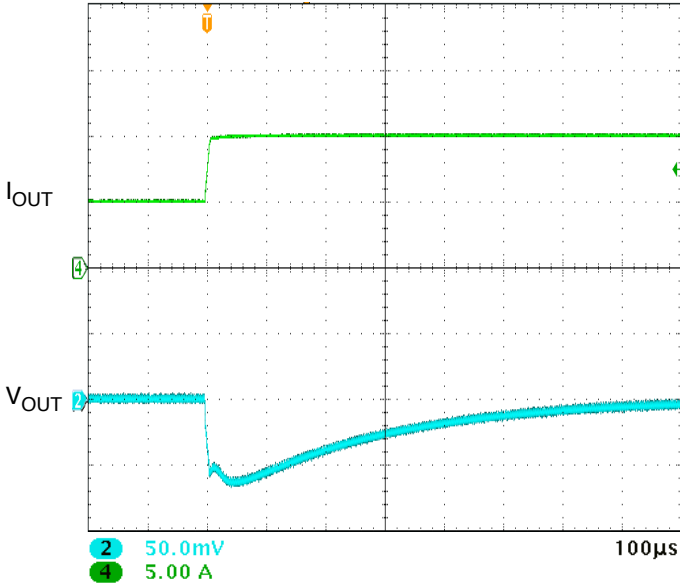
MFX2805S AUDIO REJECTION  
FIGURE 12



BW 20 Hz - 20 MHz UNITS ARE PER DIVISION  
MFX2805S INPUT RIPPLE  
FIGURE 13



BW 20 Hz - 20 MHz UNITS ARE PER DIVISION  
MFX2805S OUTPUT RIPPLE  
FIGURE 14

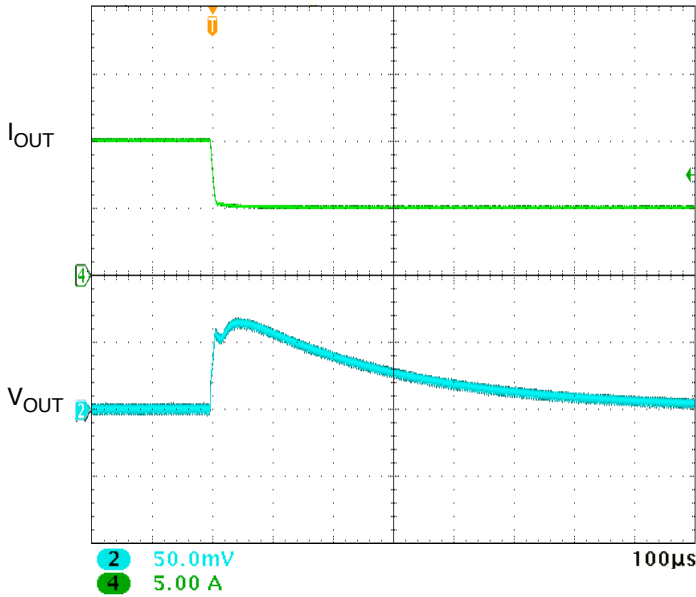


UNITS ARE PER DIVISION  
MFX2805S STEP LOAD 50% - 100%  
FIGURE 15

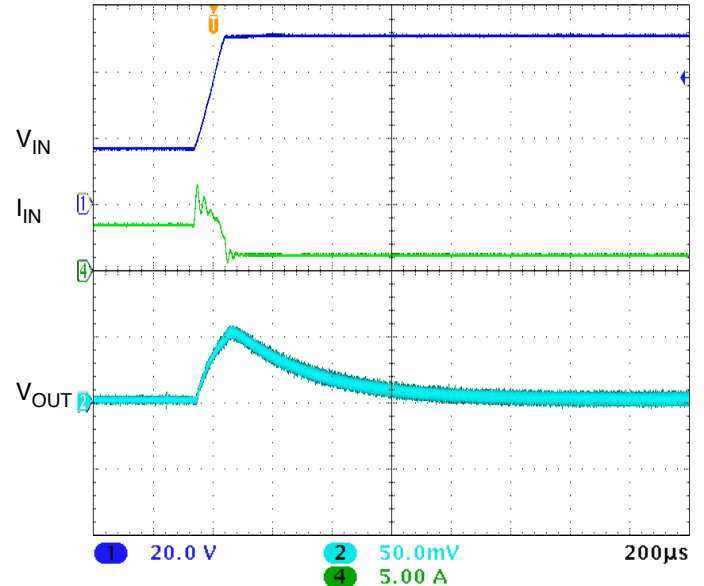
# MFX Single Output DC-DC Converters

## 16 TO 50 VOLTS INPUT - 50 WATT

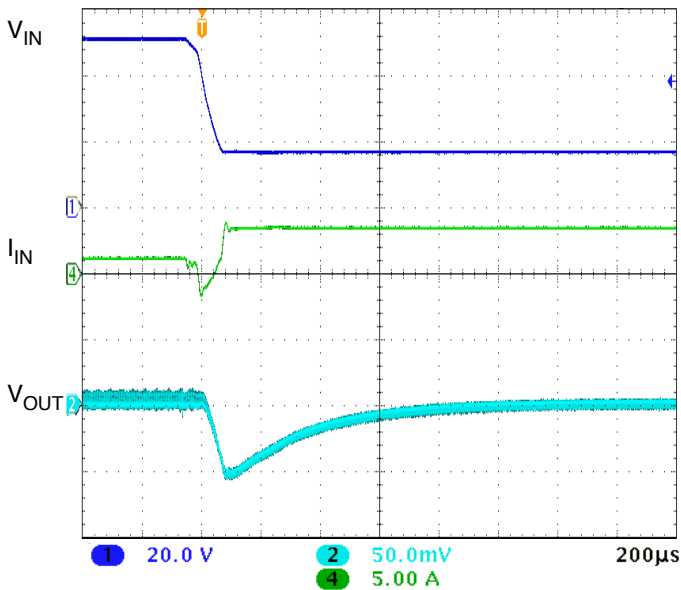
TYPICAL PERFORMANCE PLOTS: 25°C CASE, 28 VIN, 100% LOAD, FREE RUN, UNLESS OTHERWISE SPECIFIED.  
FOR REFERENCE ONLY, NOT GUARANTEED SPECIFICATIONS.



UNITS ARE PER DIVISION  
MFX2805S STEP LOAD 100% - 50%  
FIGURE 16

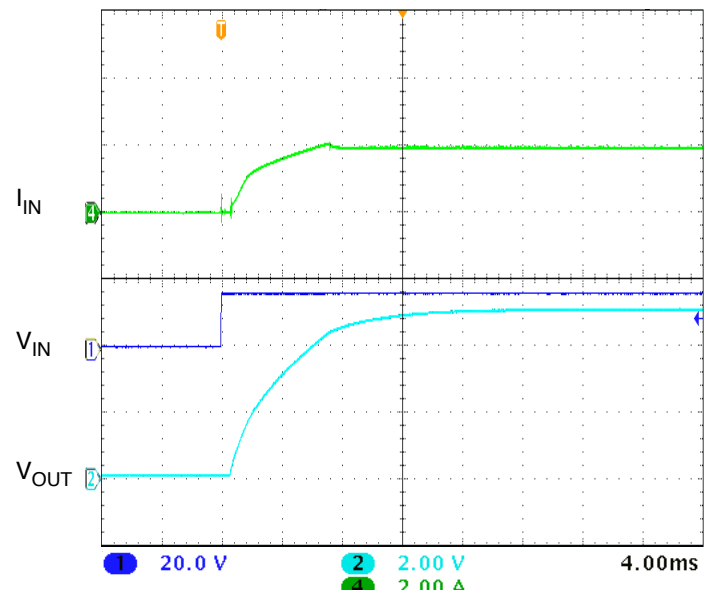


UNITS ARE PER DIVISION  
MFX2805S STEP LINE 16 - 50 VOLTS 50% LOAD  
FIGURE 17



UNITS ARE PER DIVISION  
MFX2805S STEP LINE 50 - 16 VOLTS 50% LOAD

FIGURE 18



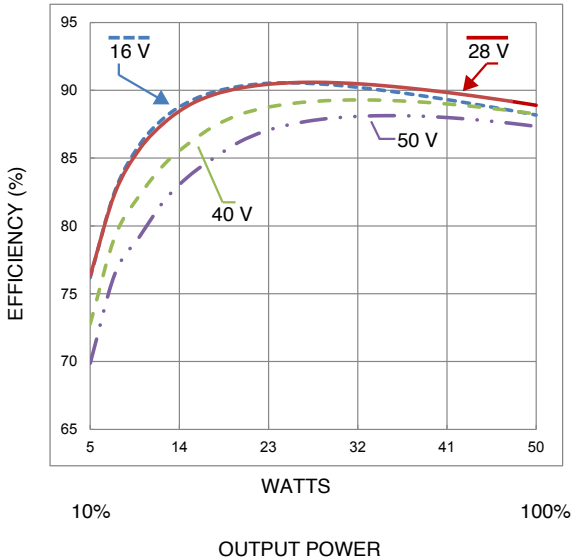
UNITS ARE PER DIVISION

FIGURE 19

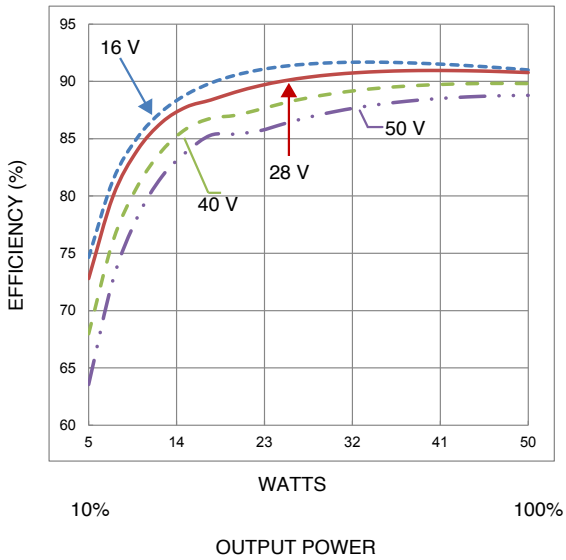
# MFX Single Output DC-DC Converters

## 16 TO 50 VOLTS INPUT - 50 WATT

TYPICAL PERFORMANCE PLOTS: 25°C CASE, 28 VIN, 100% LOAD, FREE RUN, UNLESS OTHERWISE SPECIFIED.  
FOR REFERENCE ONLY, NOT GUARANTEED SPECIFICATIONS.



MFX283R3S EFFICIENCY  
FIGURE 20

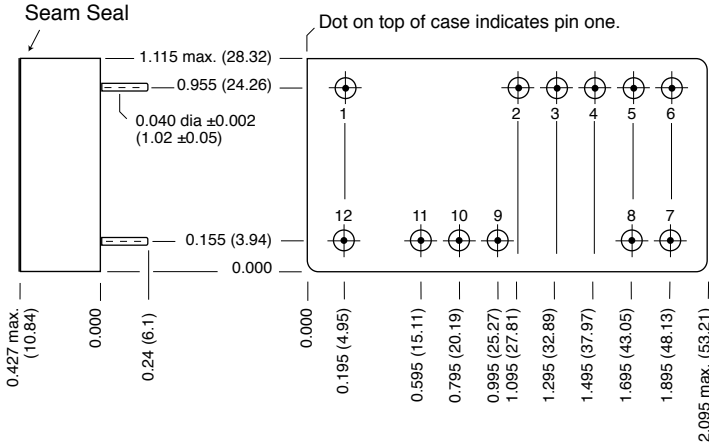


MFX2805S EFFICIENCY  
FIGURE 21

# MFX Single Output DC-DC Converters

## 16 TO 50 VOLTS INPUT - 50 WATT

BOTTOM VIEW MFX



**Weight:** 55 grams maximum

**Case dimensions in inches (mm)**

Tolerance ±0.005 (0.13) for three decimal places  
±0.01 (0.3) for two decimal places  
unless otherwise specified

**CAUTION**

Heat from reflow or wave soldering may damage the device.  
Solder pins individually with heat application not exceeding 300°C for 10 seconds per pin.

**Materials**

- Header Cold Rolled Steel/Nickel
- Cover Kovar/Nickel
- Pins #52 alloy/Gold glass compression seal
- Gold plating of 50 - 150 microinches included in pin diameter
- Seal hole 0.092 ±0.002 (3.05 ± 0.05)

Please refer to the numerical dimensions for accuracy.  
Case H7 MFX S, Rev C 2016.05.24

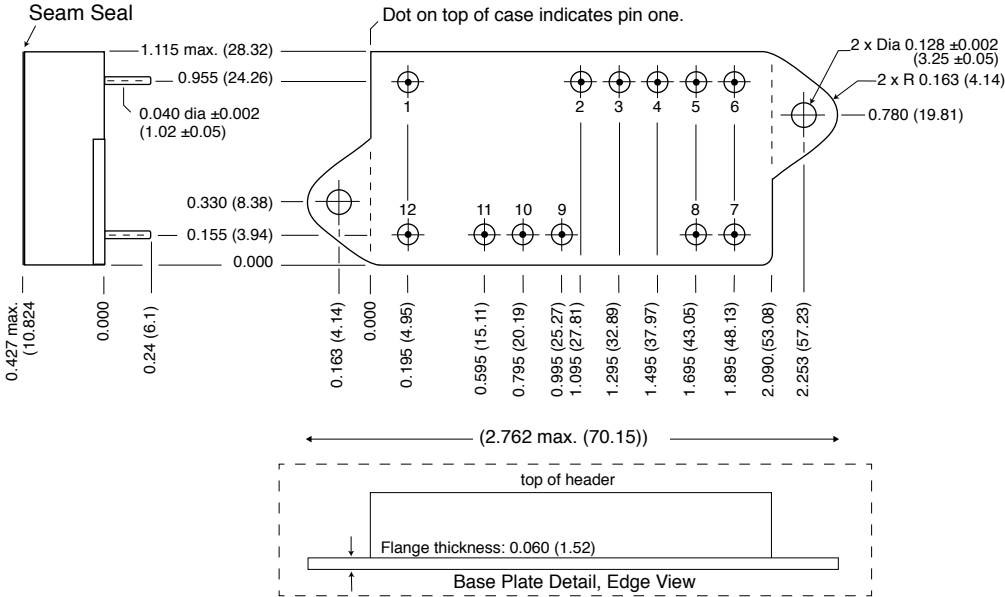
FIGURE 22: MFX

# MFX Single Output DC-DC Converters

## 16 TO 50 VOLTS INPUT - 50 WATT

### BOTTOM VIEW MFX FLANGED

Flanged cases: Designator "F" required in Case Option position of model number



**Weight:** 55 grams maximum

**Case dimensions in inches (mm)**

Tolerance ±0.005 (0.13) for three decimal places  
±0.01 (0.3) for two decimal places  
unless otherwise specified

**CAUTION**

Heat from reflow or wave soldering may damage the device.  
Solder pins individually with heat application not exceeding 300°C for 10 seconds per pin.

**Materials**

- Header Cold Rolled Steel/Nickel
- Cover Kovar/Nickel
- Pins #52 alloy/Gold glass compression seal
- Gold plating of 50 - 150 microinches included in pin diameter
- Seal hole 0.092 ±0.002 (3.05 ± 0.05)

Please refer to the numerical dimensions for accuracy.

Case J7 MFX S, Rev C 2016.05.24

FIGURE 23: MFX FLANGED

# MFX Single Output DC-DC Converters

16 TO 50 VOLTS INPUT - 50 WATT

## ENVIRONMENTAL SCREENING HIGH RELIABILITY STANDARD, /ES AND /SX

TEST PERFORMED	NON-COMPLIANT <sup>1</sup>		
	STANDARD	/ES	/SX <sup>2</sup>
<b>Pre-cap Inspection, Method 2017, 2032</b>	■	■	■
<b>Temperature Cycle (10 times)</b>			
Method 1010, Cond. C, -65°C to +150°C, ambient			■
Method 1010, Cond. B, -55°C to +125°C, ambient		■	
<b>Constant Acceleration</b>			
Method 2001, 3000 g			■
Method 2001, 500 g		■	
<b>PIND, Test Method 2020, Cond. A</b>			■
<b>Burn-in Method 1015, +125°C case, typical <sup>3</sup></b>			
96 hours		■	
160 hours			■
<b>Final Electrical Test, MIL-PRF-38534, Group A,</b>			
Subgroups 1 through 6, -55°C, +25°C, +125°C case			■
Subgroups 1 and 4, +25°C case	■	■	
<b>Hermeticity Test</b>			
Gross Leak, Cond. C <sub>1</sub> , fluorocarbon		■	■
Fine Leak, Cond. A <sub>2</sub> , helium		■	■
Gross Leak, Dip	■		
<b>Final visual inspection, Method 2009</b>	■	■	■

Test methods are referenced to MIL-STD-883 as determined by MIL-PRF-38534.

#### Notes

1. Non-compliant products may not meet all of the requirements of MIL-PRF-38534.
2. Screened to MIL-PRF-38534 requirements.
3. Burn-in temperature designed to bring the case temperature to +125°C minimum.  
Burn-in is a powered test.

TABLE 7: ENVIRONMENTAL SCREENING